

# CLAS<sup>®</sup>

*Selection*  
**HGV**

**SUMMER**  
*2024*

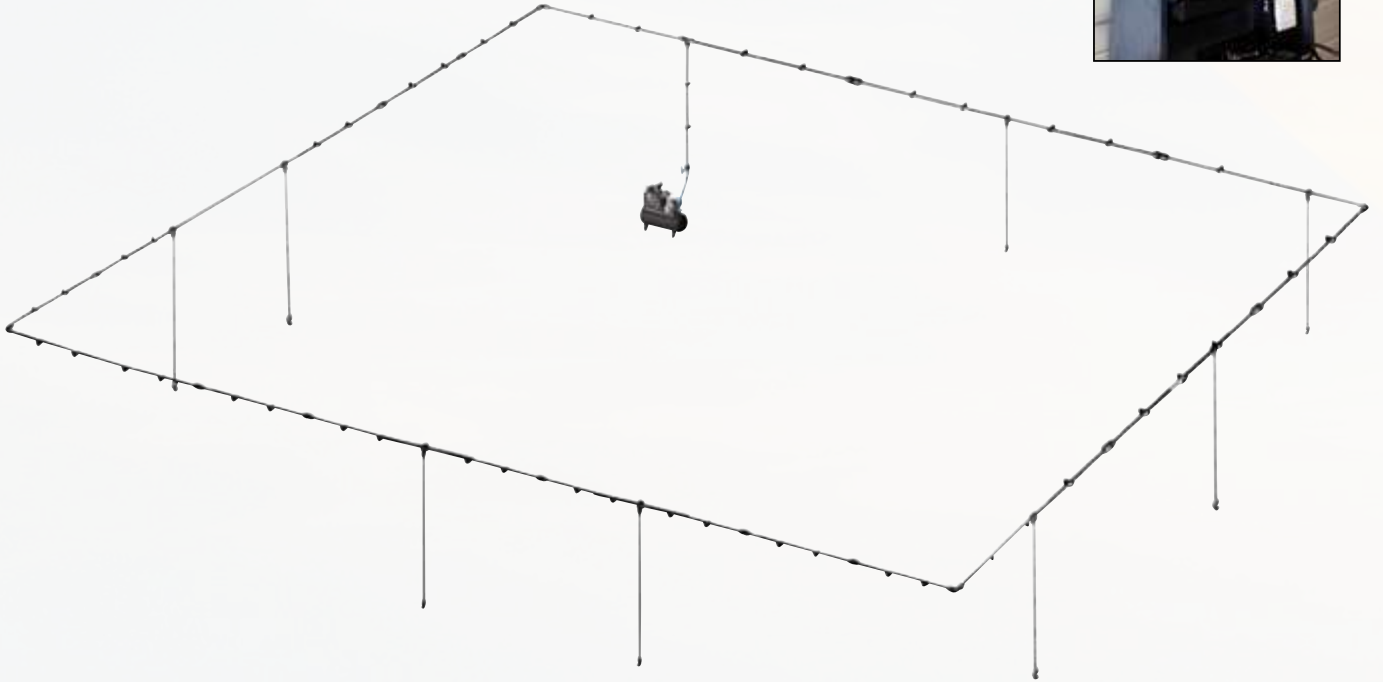


From 01/04/2024 to 31/07/2024

## ALUMINUM AIR PIPE AND FITTING KIT Ø32mm L.60m 8 DOWNPIPES

KR 6032

Aluminum components for tubes, and technopolymer fittings make this system a safe, durable network, with no risk of corrosion or pipe deformation. Economical, thanks to its quick assembly: no gluing, no welding or crimping, works by interlocking, locking. High adaptability with these multiple connectors, and by its compatibility for existing network recovery.



**1990 €VAT Excl.**

Instead of 2490 €VAT Excl.\*

**+** Plug and play

### COMPOSITION

	ALUMINUM PIPE Ø32mm LENGTH 4m	30	KR 7038
	ALUMINUM PIPE Ø20mm LENGTH 4M	8	KR 7036
	COMPOSITE SLEEVE Ø32mm	15	KR 7017
	10 CLAMP SET 32mm M8	3	KR 7012
	10 CLAMP SET 20mm M8	2	KR 7010
	COMPOSITE ELBOW 90° FOR Ø32mm	6	KR 7007
	COMPOSITE TAPPING FLANGE FOR PIPE Ø32xØ20	8	KR 7046

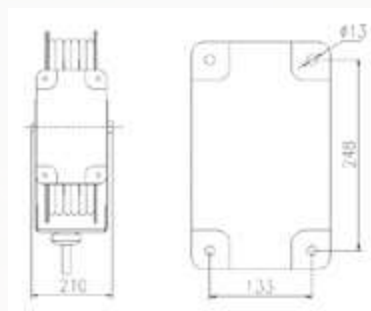
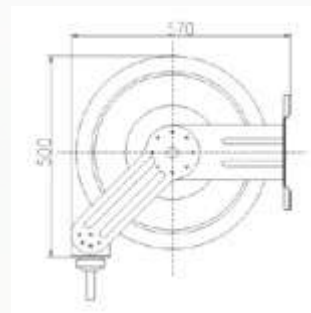
	EQUAL COMPOSITE TEE Ø32mm	2	KR 7076
	CAP Ø32mm	1	KR 7025
	MULTICOUCH HOSE	2M	
	FLEXIBLE LINK Ø32mm	1	KR 7031
	PIPPING VALVE Ø32	1	KR 7058
	SPECIAL WRENCH NUT TIGHTENING Ø16 TO Ø20	1	KR 7054
	SPECIAL WRENCH NUT TIGHTENING Ø25 TO Ø32	1	KR 7055



## HGV AIR REEL Ø13mm 20m

TN

OP 1628



### Specifications:

- epoxy powder coated steel brackets
- automatic hose stopping system
- hose Øint. 13mm
- max. pressure: 20bar
- connector 1/2"

**299 €VAT Excl.**

Instead of 389 €VAT Excl.\*



## 1" D. IMPACT WRENCH 2441Nm

TN

OP 1407



Ultra-light

### Specifications:

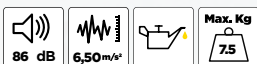
- max. torque: 2441Nm
- release torque: 2033Nm
- speed: 6,000rpm
- length: 467mm
- connection: 1/2"
- supply pressure: 6.2bar
- consumption: 282l/min
- net weight: 7.5kg

**950 €VAT Excl.**

Instead of 977 €VAT Excl.\*



1"



**2441Nm**



## 1" D. HGV IMPACT WRENCH 3390Nm

TN

OP 1422

### Specifications:

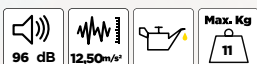
- max. torque: 3390Nm
- speed: 5,000rpm
- length: 565mm
- connection: 1/2"
- supply pressure: 6.2bar
- consumption: 282l/min
- net weight: 11kg

**999 €VAT Excl.**

Instead of 1099 €VAT Excl.\*



1"



**3390Nm**



## 1/2"D.x3/4"D. INCREASER

TN

OM 0045

**8 €VAT Excl.**

Instead of 9 €VAT Excl.\*



## 3/4"D. x 1/2"D. REDUCER

TN

OM 0044

**12 €VAT Excl.**

Instead of 14 €VAT Excl.\*



## 3/4"D.x1"D. INCREASER

TN

OM 0033

**12 €VAT Excl.**

Instead of 14 €VAT Excl.\*



## 1" D. 3/4" D. REDUCER

TN

OM 0043

**19 €VAT Excl.**

Instead of 22 €VAT Excl.\*



## 3/4" LONG HEX IMPACT SOCKET SET 26-38mm (8 PCS)

TN

OS 3430



**115 €VAT Excl.**

Instead of 158 €VAT Excl.\*



## HGV 3/4" SOCKET SET XZN 16-18 TORX T70-T100 (6 PCS)

TN

OM 2332



**69 €VAT Excl.**

Instead of 95 €VAT Excl.\*

**3/4"**

### Contents:

- SA0470: Socket T70
- SA0471: Socket T80
- SA0472: Socket T90
- SA0473: Socket T100
- SA0474: Socket XZN M16
- SA0475: Socket XZN M18



## HEX IMPACT SOCKET KIT 26-38mm 3/4" (8 PCS)

TN

OS 3400

1"

**89 €VAT Excl.**

Instead of 99 €VAT Excl.\*

### Contents:

- OS3401: impact socket 26mm
- OS3402: impact socket 27mm
- OS3403: impact socket 29mm
- OS3404: impact socket 30mm
- OS3405: impact socket 32mm
- OS3406: impact socket 35mm
- OS3407: impact socket 36mm
- OS3408: impact socket 38mm



DIN ISO 2725-3



## HEX IMPACT SOCKET KIT 24-50mm 1" (9 PCS)

TN

OS 3500

1"

**139 €VAT Excl.**

Instead of 174 €VAT Excl.\*

### Contents:

- OS3501: impact socket 24mm
- OS3502: impact socket 27mm
- OS3503: impact socket 30mm
- OS3504: impact socket 32mm
- OS3505: impact socket 35mm
- OS3506: impact socket 38mm
- OS3507: impact socket 41mm
- OS3508: impact socket 46mm
- OS3509: impact socket 50mm



DIN ISO 2725-3



## 1" LONG HEX IMPACT SOCKET SET 24-50mm (9 PCS)

TN

OS 3530

1"

**169 €VAT Excl.**

Instead of 234 €VAT Excl.\*

### Contents:

- OS3531: 1" long hex impact socket 24mm Length 90mm
- OS3532: 1" long hex impact socket 27mm Length 90mm
- OS3533: 1" long hex impact socket 30mm Length 90mm
- OS3534: 1" long hex impact socket 32mm Length 90mm
- OS3535: 1" long hex impact socket 35mm Length 90mm
- OS3536: 1" long hex impact socket 38mm Length 95mm
- OS3537: 1" long hex impact socket 41mm Length 95mm
- OS3538: 1" long hex impact socket 46mm Length 95mm
- OS3539: 1" long hex impact socket 50mm Length 100mm



DIN ISO 3129



## 1/2" IMPACT WRENCH 620Nm 20V BRUSHLESS + 2 BATTERIES 4Ah + CHARGER

PW 0620



AUTO STOP MODE

**NEW**

**319 €VAT Excl.\***

**1/2"**

Limited quantity Available in May



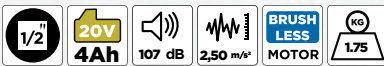
**Specifications:**

- max. breakaway torque 620Nm
- max. tightening torque 450/290Nm
- max. power output (MWO): 500W
- 2 speeds
- stroke rate: 3600/2500 (imp/min)
- idle speed: 2700/1700 (rpm)
- drive: 1/2" diameter
- max. bolt Ø: M20
- voltage: 20V
- Led lighting
- vibration: ah=2.5m/s<sup>2</sup>, K=1,5m/s<sup>2</sup>
- sound power level: Lw=107dB(A), K=3dB(A)
- sound pressure: Lp=99dB(A), K=3dB(A)
- weight: 1.10Kg (without battery) / 1.75Kg (with battery)
- dimensions LxWxH: 130x80x260mm

**+ Compact and lightweight**



Supplied in transportable case with 2 4.0Ah batteries and 2.3A charger



**620Nm** **3** WARRANTY

## 1/2" IMPACT WRENCH 620Nm 20V BRUSHLESS WITHOUT BATTERY

PW 0621

**149 €VAT Excl.\***



**NEW**

- Contents :**
- sturdy case with handle
  - 1/2" impact spanner 620nm



**620Nm** **3** WARRANTY

**1/2" IMPACT WRENCH 1080Nm 20V BRUSHLESS + 2 BATTERIES 4Ah + CHARGER**

PW 1080

**449 €VAT Excl.\***

**1/2"**

**NEW**

**MAX**



**AUTO STOP MODE**

**1**



**2**



**3**



Aluminum body

3 speeds



LED lighting



BRUSHLESS Engine



1-hand reverser



Battery level indicator



4Ah high-performance lithium-ion battery

**Limited quantity Available in May**

**Specifications:**

- max. breakaway torque : 1080Nm
- max. tightening torque 860/500/300Nm
- max. power output (MWO): 800W
- 3 speeds
- stroke rate: 2200/1900/1500 (imp/min)
- idle speed: 2400/1900/1500 (rpm)
- drive: 1/2"
- max. bolt Ø: M24
- voltage: 20V
- Led lighting
- vibration: ah=9.3m/s<sup>2</sup>, K=1.5m/s<sup>2</sup>.
- sound power: Lw=109dB(A), K=3dB(A)
- sound pressure: Lp=98dB(A), K=3dB(A)
- weight: 1.90Kg (without battery) / 2.55Kg (with battery)
- dimensions (LxWxH): 170x85x280mm

**+** Strong torque

Supplied in transportable case with 2 4.0Ah batteries and 2.3A charger



**1080Nm** **3** WARRANTY

**1/2" IMPACT WRENCH 1080Nm 20V BRUSHLESS WITHOUT BATTERY**

PW 1081

**279 €VAT Excl.\***

**+** Strong torque

**NEW**



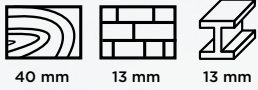
**1080Nm** **3** WARRANTY

## 20V BRUSHLESS HAMMER DRILL + 2 BAT 4Ah + CHARGER

PW 2013

13mm

3 MODES



**NEW**



BRUSHLESS Engine



1-hand reverser



LED lighting



Battery level indicator

4Ah high-performance lithium-ion battery

**369 €VAT Excl.\***

Limited quantity Available in May

### Specifications:

- 2 speeds
- torque: 160Nm
- max. power output (MWO): 900W
- stroke rate: 0/36000 (imp/min)
- idle speed: 0-600/0-2250 (rpm)
- self-tightening chuck: 13mm
- chuck capacity: 1.5 / 13mm drill bit
- torque settings: 20 + 3
- steel drilling capacity: 13mm
- wood drilling capacity: 40mm
- masonry drilling capacity: 13mm
- voltage: 20V
- weight: 2.0Kg (without battery) / 2.65Kg (with battery)
- Led lighting
- vibration: ah=1.4m/s<sup>2</sup>, K=1.5m/s<sup>2</sup>.
- sound power level: Lw=91.8dB(A), K=3dB(A)
- sound pressure: Lp=80.8dB(A), K=3dB(A)
- dimensions (LxWxH): 205x65x260mm



Self-tightening steel chuck



Supplied in transportable case with 2 4.0Ah batteries and 2.3A charger



160Nm **3** WARRANTY

## 20V BRUSHLESS HAMMER DRILL WITHOUT BATTERY

PW 2014

**199 €VAT Excl.\***



**NEW**

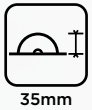


160Nm **3** WARRANTY



# ANGLE GRINDER 125mm 20V BRUSHLESS + 2 BATTERIES 4Ah + CHARGER

PW 3125



**269 €VAT Excl.\***

**125mm**

**NEW**



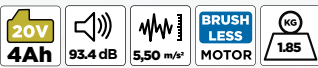
**Limited quantity  
Available in June**

**Specifications:**

- max. power output (MWO): 800W
- 3 speeds
- disc diameter: 125mm
- idle speed: 6500/7500/8500 (rpm)
- spindle size: M14
- soft start
- blade stop: 3s
- cutting depth: 35mm
- voltage: 20V
- Led lighting
- grinding vibration: ah=5.5m/s<sup>2</sup>, K=1.5m/s<sup>2</sup>.
- sanding vibration: ah=1.9m/s<sup>2</sup>, K=1.5m/s<sup>2</sup>.
- sound power: Lw=93.4dB(A), K=3dB(A)
- sound pressure: Lp=82.4dB(A), K=3dB(A)
- weight: 1.20Kg (without battery) / 1.85Kg (with battery)
- dimensions (LxWxH): 300x105x80mm

**+ Stop in 3 seconds**

Supplied in transportable case with 2 4.0Ah batteries and 2.3A charger



# ANGLE GRINDER 125mm 20V BRUSHLESS WITHOUT BATTERY

PW 3126

**99 €VAT Excl.\***

**NEW**

- Contents :
- sturdy case with handle
  - angle grinder
  - side handle (removable)
  - wrench for disc



\*Recommended user price applicable from 01/09/2023 to 31/08/2024. Illustrations non-contractual. Offer valid from 01/04 to 31/07/2024. In the event of stock shortage, CLAS reserves the right to deliver a gift of equivalent value.

## HIGH LIFT AIR HYDRAULIC JACK 30T

OH 9032N

**Applications:** Civil engineering machinery, agricultural machinery, military machinery, trains.

**Specifications:**

- provides quick and effortless lifts
- safety overload system
- equipped with a speed control descent system for enhanced security
- long T-handle to ease jack positioning under vehicle
- 3 positions: 90-45-0° with metal locking system
- tempered piston for high resistance
- min. height: without extension 360mm/with extensions 505mm
- max. height: without extension 627mm/with extensions 772mm
- length: 840mm
- width: 282mm
- extensions: 45-100mm
- air pressure: 9-12bar
- weight: 87kg



**+** Holds full power in high rise

**2490 €VAT Excl.**

Instead of 2690 €VAT Excl.\*



NASCAR CAP WITH 3D EMBROIDERY  
AP 7000 | 15 €VAT Excl.



**FREE**



**30T** **2** WARRANTY

TN

## AIR HYDRAULIC JACK 10-22-40T

OH 9042N

**Applications:** Trucks, trailers, buses, agricultural machinery, civil engineering machinery.

**Specifications:**

- provides quick and effortless lifts
- safety overload system
- 3 stages: 40-22-10T
- equipped with a speed control descent system for enhanced security
- long T-handle allows you easily position your jack under the vehicle
- 3 positions: 90-45-0° with metal locking system
- tempered piston for high resistance
- h. min.: without extension 125mm/with extensions 256mm
- h. max.: without extension 276mm/with extensions 407mm
- length: 527mm
- width: 268mm
- extensions: 11-45-75mm
- air pressure: 9-12bar
- weight: 38,4kg



**1690 €VAT Excl.**

Instead of 1890 €VAT Excl.\*



NASCAR CAP WITH 3D EMBROIDERY  
AP 7000 | 15 €VAT Excl.



**FREE**



**40T** **2** WARRANTY

TN

## AIR HYDRAULIC JACK 15-30-50T

OH 5030N

**Specifications:**

- provides quick and effortless lifts
- safety overload system
- equipped with a speed control descent system for enhanced security
- 3 stages: 50-30-15T
- long T-handle allows you easily position your jack under the vehicle
- 3 positions: 90-45-0° with metal locking system
- h. mini: without extension 150mm/with extensions 270mm
- h. max: without extension 300mm/ with extensions 420mm
- tempered piston for high resistance
- extensions: 45-75mm
- air pressure: 9-12bar
- weight: 56kg



**1790 €VAT Excl.**

Instead of 1990 €VAT Excl.\*



NASCAR CAP WITH 3D EMBROIDERY  
AP 7000 | 15 €VAT Excl.



**FREE**



**50T** **2** WARRANTY

TN

## AIR HYDRAULIC JACK 15-30T

OH 3015N

**1290 €VAT Excl.**

Instead of 1390 €VAT Excl.\*



NASCAR CAP WITH 3D EMBROIDERY  
(AP 7000) 15 €VAT Excl.



**FREE**

### Specifications:

- provides quick and effortless lifts
- safety overload system
- equipped with a speed control descent system for enhanced security
- 2 stages: 30-15T
- long T-handle allows you easily position your jack under the vehicle
- 3 positions: 90-45-0° with metal locking system
- tempered piston for high resistance
- extensions: 45-75mm
- air pressure: 9-12bar
- weight: 38kg



**30T** **2** WARRANTY

TN

## PAIR OF HEIGHT ADJUSTABLE JACK STANDS 22T

OM 0684

**290 €VAT Excl.**

Instead of 329 €VAT Excl.\*



NASCAR CAP WITH 3D EMBROIDERY  
(AP 7000) 15 €VAT Excl.



**FREE**

### Specifications:

- min. H.: 353mm
- max. H.: 505mm
- base: 280x280mm
- weight: 30.6kg



**22T** **2** WARRANTY

TN

## JACK STANDS WITH SCREW 20T (x2)

OM 3021

**+** Setting accuracy

**749 €VAT Excl.**

Instead of 829 €VAT Excl.\*



NASCAR CAP WITH 3D EMBROIDERY  
(AP 7000) 15 €VAT Excl.



**FREE**

### Specifications:

- h. min.: 420mm
- h. max.: 680mm
- base: 315mm-330mm
- weight: 56kg



**20T** **2** WARRANTY

TN

## 20T JACK STANDS WITH SCREW HIGH ELEVATION

OM 3023

**819 €VAT Excl.**

Instead of 945 €VAT Excl.\*



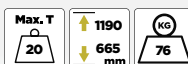
NASCAR CAP WITH 3D EMBROIDERY  
(AP 7000) 15 €VAT Excl.

**FREE**



### Specifications:

- h. min.: 665mm
- h. max.: 1190mm
- base: 460x460mm
- weight: 76kg



**20T** **2** WARRANTY

TN

# Selection **HGV**

## EXTENDED KEY 32-33mm 3 EXTENSIONS

OM 0405

**NEW**



**49 €VAT Excl.**

Instead of 59 €VAT Excl.\*

TN



Livrée avec certificat d'étalonnage



TN

	Square	Tightening torque	Length	Weight	Accuracy	Selection price	Catalog price*
OM 0793	3/4"	100-600 Nm	1000 mm	4890 g	+/- 3 % (serrage)	<b>390 €VAT Excl.</b>	<del>439 €VAT Excl.</del>
OM 0797	1"	480-1500 Nm	1000 mm + 800 mm	6700 g	+/- 6% (desserrage)	<b>699 €VAT Excl.</b>	<del>799 €VAT Excl.</del>



## TORQUE MULTIPLIER R1:58 4800Nm+6 SOCKETS + 2 ADAPTERS 1" HGV

OM 4535

1"



**99 €VAT Excl.**

Instead of 168 €VAT Excl.\*

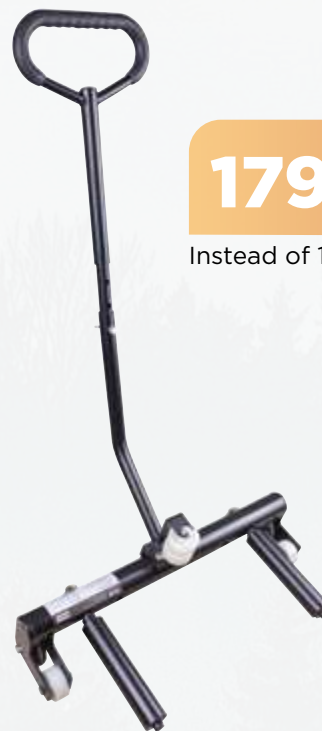
### Contents:

- torque multiplier R1:58 L.270mm
- extension L.255mm
- sockets 24-27-30-32-33-38mm, H.80mm 1" drive
- adapters 1" female-female and 3/4" male-1" female H.80mm



## TIRE REMOVER HGV

OM 9002



**179 €VAT Excl.**

Instead of 199 €VAT Excl.\*



Reduces MSD.

### Specifications:

- arm width: 500mm
- depth: 350mm



## WHEEL LIFTER HGV

OH 9001

TN

**650 €VAT Excl.**

Instead of 762 €VAT Excl.\*

**+** Secured wheel



### Specifications:

- length: 1161mm
- width: mini-maxi 2080x565x1500mm or 1161x565x1500mm
- ground clearance: 150mm



## WHEEL LIFTER HGV/PUBLIC WORKS/AGRICULTURAL

OH 9000

TN

**1450 €VAT Excl.**

Instead of 1510 €VAT Excl.\*

**+** Wide wheel compatible

### Specifications:

- height: min.1375mm-max.2175mm
- length: 940mm
- width: min.1200mm-max.1970mm
- ground clearance: 175mm
- roller length: 500mm
- space between rollers: min.720mm-max.1250mm
- rollers: Ø76mm
- capacity wheel Ø: min.1000mm-max.2200mm
- depth of wheels: 800mm maximum
- dolly wheels: 4 big wheels PU Ø145x50mm including 2 swivel wheels with brakes



## RECHARGEABLE ELECTRIC WHEEL LIFT 100 KG

OE 9100

TE

Allows effortless lifting and lowering of LV, LCV, 4x4 and HGV wheels at vehicle height on the bridge. Facilitates wheel transport in the workshop. Low center of gravity increases stability.

**+** Reduces the risk of accidents  
Effortless wheel lifting

**5490 €VAT Excl.**

Instead of 5690 €VAT Excl. \*



## TIRE RELEASER

TN

OP 1465

**899 €VAT Excl.**

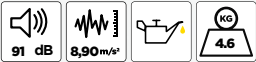
Instead of 999 €VAT Excl.\*



Connector supplied

### Specifications:

- travel: 80mm
- jaw opening: 68mm
- length: 380mm
- connection: 1/4"
- supply pressure: 6.2bar
- consumption: 113l/min



## HYDROPNEUMATIC BEAD BREAKER + PUMP/HOSE/CONNECTOR

TN

DM 1204

**849 €VAT Excl.**

Instead of 929 €VAT Excl.\*



DM0204 : 1 x detalonneur hydropneumatique pl/agricole  
 SA0802 : 1 x flexible 1/4" 1.1500mm  
 SA4215 : 1 x adaptateur hydraulique 1/4"-3/8"  
 OH0024 : 1 x pompe hydropneumatique 10t 1/4" et 3/8"

## 18L ALUMINUM AIR BLASTER/BAZOOKA

TN

OP 0689

Allows the tire base to be positioned on the rim before inflation.

**+** High capacity

**399 €VAT Excl.\***



RECHARGEABLE WIRELESS SPEAKER  
 PORTABLE LIGHT IK07

OE 0159 89 €VAT Excl.\*



**FREE**



### Specifications:

- 18L aluminum tank
- 2 PU barrels, no damage to rims
- barrel width: 250mm
- height: 680mm
- ergonomic 45° handle
- pressure gauge 0-16bar
- 10.0bar safety valve
- operating pressure: between 6 and 8 bar
- weight: 13kg



# HGV TIRE CHANGER 14"-26"

DM 8000

TE

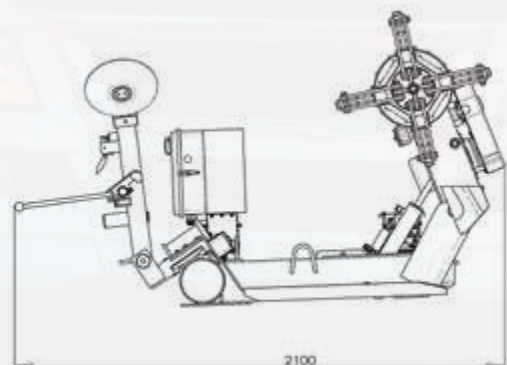
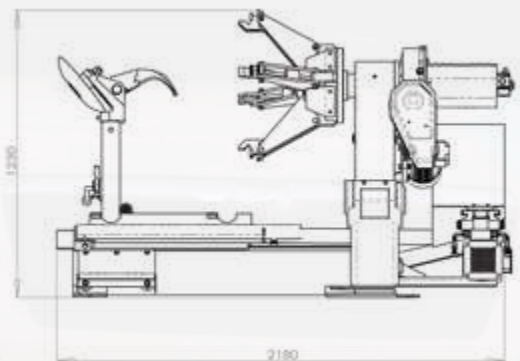
Truck, coach and farm machinery tyre changer for tubeless and tube-fitted tyres.



Easy to use

**6950 €VAT Excl.**

Instead of 8490 €VAT Excl.\*



## Specifications:

- cover diameter: 14 to 26 inches
- maximum wheel diameter: 1600mm
- maximum width: 1000mm
- 1.5kW 380V/3PH-50AH hydraulic motor
- remote electric control
- operating pressure: 130-150bar
- noise < 75 dB
- power supply: 400V-50Hz
- weight: 561kg
- dimensions: 2100 x 1650 x 930mm
- delivered crate-mounted



## HGV BRAKE HUBS INTERVENTION TRILOGY

OH 8013PL

Set of devices specially designed for the removal or replacement of brake calipers, bushings and drums, for hubs (hub, disc and caliper) when changing bearings and for the separation of discs from the hub on trucks, buses and industrial vehicles. Reduces working time by up to 70%. Limits the risk of accidents (back injury, fall of the stirrup on the feet... etc).



Flash to the video !

**9950 €VAT Excl.**

Instead of 10950 €VAT Excl.\*



Only 1 operator



TN

OH8001 : 1 x support etriers de freins pl  
OH8010 : 1 x support disques / moyeux / tambours de freins pl  
OH8013 : 1 x verins extraction disques de freins pl



## BRAKE SUPPORT AND CALIPERS WIDE BASE HGV

OH 8003

TN



Only 1 operator



Flash to the video !



**3250 €VAT Excl.**

Instead of 3450 €VAT Excl.\*

### Specifications:

- stroke: 200mm
- 4 swivelling wheels, 2 of which are braked
- dimensions : 550x300x700mm



## 5L CONTAINER OF BRAKES CLEANER

CO 1530

Accessory of EG 1530/EG 1532

**39 €VAT Excl.**

Instead of 46 €VAT Excl.\*



TN

## UNIVERSAL HGV HUB COVER REMOVAL TOOL 3/4"

OM 0355

TN

**190 €VAT Excl.**

Instead of 222 €VAT Excl.\*



### Specifications:

- from Ø47mm to Ø145mm
- 3/4" D.
- 3 sets of pins for castle nuts



## THINK ABOUT IT!

### 1.7l PRESSURE SPRAYER BRAKE CLEANER

OC 1510 34 €VAT Excl.\*



TN



## 2T FOLDABLE CRANE

OH 0338

TN

**1099 €VAT Excl.**

Instead of 1239 €VAT Excl.\*

### Specifications:

- double-acting pump
- deadman descent
- 360° rotating pump
- 3-position arm: 2000-1700-1500kg
- max load lift: 255cm
- net weight: 149kg
- nylon wheels



**2T** **2** WARRANTY

## HUB FLANGE CLEANING DISC Ø90-150mm

TN

OM 9343

**52 €VAT Excl.**

Instead of 62 €VAT Excl.\*



## FRONT WHEEL HUB REMOVER MAN Ø166mm

TN

OM 0345

**290 €VAT Excl.**

Instead of 336 €VAT Excl.\*



## 4 PCS SPLINE 1/2" D. XZN BIT SET M12-M14-M16-M18 L.78mm

TN

OM 9264



**59 €VAT Excl.**

Instead of 65 €VAT Excl.\*



## 1/2" IMPACT SOCKET BIT SET HUB AND CV JOINT (8 PCS)

TN

OM 7069



**79 €VAT Excl.**

Instead of 89 €VAT Excl.\*



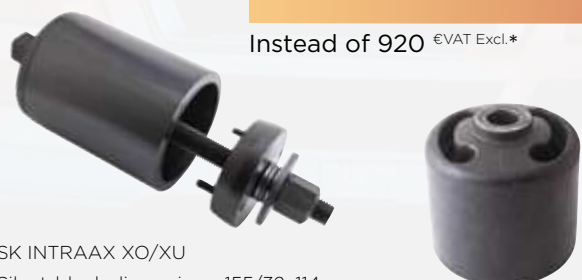
## SILENT BLOCK EXTRACTOR SAF Ø158mm

TN

OM 9391

**795 €VAT Excl.**

Instead of 920 €VAT Excl.\*



SK INTRAAX XO/XU

Silent-block dimensions: 155/32x114  
Silent-block OEM code: 4177302800A



**HEXAGONAL SOCKET FOR MERCEDES/ EVOBUS DIFFERENTIAL NUTS Ø72mm**

TN

OM 0350



**59 €VAT Excl.**

Instead of 73 €VAT Excl.\*



**12 & 6 PIN REVERSIBLE HUB SOCKET MAN/ MERCEDES Ø102mm**

TN

OM 0321



**309 €VAT Excl.**

Instead of 370 €VAT Excl.\*



**6 PIN REAR AXLE NUT SOCKET BENZ Ø116mm**

TN

OM 0385



**199 €VAT Excl.**

Instead of 240 €VAT Excl.\*



**6 PIN HUB SOCKET MAN & MERCEDES Ø117mm**

TN

OM 0322



**349 €VAT Excl.**

Instead of 389 €VAT Excl.\*



**6 PIN REAR AXLE NUT SOCKET MERCEDES/MAN Ø101mm**

TN

OM 0387



**239 €VAT Excl.**

Instead of 280 €VAT Excl.\*



**6 PIN DRIVE AXLE NUT SOCKET MAN/ MERCEDES Ø101.5mm**

TN

OM 0388



**239 €VAT Excl.**

Instead of 280 €VAT Excl.\*



**12 PIN REAR HUB SOCKET MERCEDES Ø90mm**

TN

OM 0305



**199 €VAT Excl.**

Instead of 249 €VAT Excl.\*



**6 PIN TRAILER HUB SOCKET MERCEDES Ø113mm**

TN

OM 0308



**299 €VAT Excl.**

Instead of 354 €VAT Excl.\*



**6 PIN HUB SOCKET MERCEDES ATEGO Ø101mm**

TN

OM 0311



**299 €VAT Excl.**

Instead of 355 €VAT Excl.\*



**REAR HUB BOLT REMOVAL WRENCH RENAULT/MASCOTT 1" D.**

TN

OM 4024

**169 €VAT Excl.**

Instead of 195 €VAT Excl.\*



**Specifications:**

- 4 jug-sockets (width 13.5mm)



**8-SIDED SOCKET Ø116mm  
RENAULT/VOLVO/DAF**

TN

OM 0343

**289 €VAT Excl.**

Instead of 320 €VAT Excl.\*



**RECTANGULAR HUB SOCKET FOR  
KASSBOHRER/SETRA/DAF/MERCEDES  
56x71mm**

TN

OM 0312

**179 €VAT Excl.**

Instead of 209 €VAT Excl.\*



**1" D. HEX REAR HUB SOCKET IRISBUS/  
VOLVO Ø105mm**

TN

OM 0342

**259 €VAT Excl.**

Instead of 305 €VAT Excl.\*



**6 PIN DRIVE AXLE NUT SOCKET MAN  
TGA Ø118mm**

TN

OM 0384

**299 €VAT Excl.**

Instead of 343 €VAT Excl.\*



**4-PIN MAN TRANSMISSION  
SOCKET Ø53.5mm**

TN

OM 0352

**90 €VAT Excl.**

Instead of 100 €VAT Excl.\*



**6 PIN FRONT HUB SOCKET MAN  
Ø92,5mm**

TN

OM 0306

**290 €VAT Excl.**

Instead of 340 €VAT Excl.\*



**IVECO AXLE NUT  
SOCKET 98mm HEX**

TN

OM 0382

**199 €VAT Excl.**

Instead of 240 €VAT Excl.\*



**8-SIDED FRONT HUB NUT SOCKET  
SCANIA Ø80mm 1"**

TN

OM 4480

**149 €VAT Excl.**

Instead of 158 €VAT Excl.\*



**Specifications:**

- drive 41mm

## 4-PIN SCANIA TRANSMISSION SOCKET

OM 0351



**109 €VAT Excl.**

Instead of 128 €VAT Excl.\*



## DOUBLE HEX HUB SOCKET IVECO Ø85mm

OM 0331



**209 €VAT Excl.**

Instead of 260 €VAT Excl.\*



## 4 PIN REAR AXLE SOCKET SCANIA

OM 0324



**329 €VAT Excl.**

Instead of 388 €VAT Excl.\*



## GROOVE NUT SOCKET WITH 8 STUDS SCANIA

OM 0389



**139 €VAT Excl.**

Instead of 174 €VAT Excl.\*



## 3/4" 95mm OCTOGONAL SOCKET SCANIA 10 WHEELS

OM 0399



**139 €VAT Excl.**

Instead of 169 €VAT Excl.\*



## HUB WRENCH DOUBLE HEX Ø65mm 3/4" IVECO DAILY/FORD TRANSIT

OM 0065



**62 €VAT Excl.**

Instead of 69 €VAT Excl.\*



## 6 PIN REAR HUB SOCKET LCV Ø67.5mm 3/4"

OM 0001



**79 €VAT Excl.**

Instead of 95 €VAT Excl.\*



## 46mm 1/2" DOUBLE HEX SOCKET

OM 7146



**45 €VAT Excl.**

Instead of 55 €VAT Excl.\*



## 1" D. IMPACT DOUBLE HEX SOCKET Ø85mm

OM 0585



**199 €VAT Excl.**

Instead of 233 €VAT Excl.\*



### 6 PIN HUB SOCKET SPRINTER Ø63mm

TN

OM 0303

219 €VAT Excl.

Instead of 275 €VAT Excl.\*



### 6 PIN REAR AXLE SOCKET VARIO/ SPRINTER/ATEGO Ø88mm

TN

OM 0323

Suitable for Vario 814, Sprinter 616,  
Atego HL 2/43 DG6.2

259 €VAT Excl.

Instead of 294 €VAT Excl.\*



### 3/4" FRONT WHEEL SHOCK ABSORBER SOCKET SCANIA 28x37mm

TN

OM 0392

29 €VAT Excl.

Instead of 34 €VAT Excl.\*



#### Specifications:

- length: 50mm
- socket outer diameter: 54 mm



### 3/4" REAR WHEEL SHOCK ABSORBER SOCKET SCANIA 34x56mm

TN

OM 0393

42 €VAT Excl.

Instead of 49 €VAT Excl.\*



#### Specifications:

- length: 50 mm
- socket outer diameter: 71mm



### 3/4" REAR WHEEL SHOCK ABSORBER SOCKET VOLVO 28x43mm

TN

OM 0395

39 €VAT Excl.

Instead of 45 €VAT Excl.\*



#### Specifications:

- length: 60mm
- socket outer diameter: 62 mm



### 3/4" REAR WHEEL SHOCK ABSORBER SOCKET SCANIA OUTER 34x46mm

TN

OM 0394

35 €VAT Excl.

Instead of 41 €VAT Excl.\*



#### Specifications:

- length: 50mm
- bushing outer diameter: 64mm





**WHEEL CAPSULE AND AXLE NUT SOCKET 80mm 3/4"**

OM 0378

**80 €VAT Excl.**

Instead of 111 €VAT Excl.\*

**WHEEL CAPSULE AND AXLE NUT SOCKET 85mm 3/4"**

OM 0379

**85 €VAT Excl.**

Instead of 117 €VAT Excl.\*

**WHEEL CAPSULE AND AXLE NUT SOCKET 111mm 3/4"**

OM 0380

**130 €VAT Excl.**

Instead of 157 €VAT Excl.\*

**WHEEL CAPSULE AND AXLE NUT SOCKET 120mm 3/4"**

OM 0381

**135 €VAT Excl.**

Instead of 167 €VAT Excl.\*

**WHEEL CAPSULE AND AXLE NUT SOCKET 65mm 3/4"**

OM 0377

**70 €VAT Excl.**

Instead of 100 €VAT Excl.\*



**3/4" ROLLER BEARING AXLE NUT SOCKET BPW 6.5/9T 65mm**

OM 0370

**79 €VAT Excl.**

Instead of 100 €VAT Excl.\*

**3/4" ROLLER BEARING AXLE NUT SOCKET BPW 12T 80mm**

OM 0371

**99 €VAT Excl.**

Instead of 138 €VAT Excl.\*



**3/4" ROLLER BEARING AXLE NUT SOCKET BPW 16T HEX**

OM 0372



**129 €VAT Excl.**

Instead of 196 €VAT Excl.\*



**REAR HUBCAP NUT SOCKET BPW 12T 109mm 8-SIDED**

OM 0373



**169 €VAT Excl.**

Instead of 207 €VAT Excl.\*



**REAR HUBCAP NUT SOCKET BPW 16T 110mm 8-SIDED**

OM 0375



**180 €VAT Excl.**

Instead of 207 €VAT Excl.\*



**REAR HUBCAP NUT SOCKET BPW 12T 111mm**

TN

OM 0374



**179 €VAT Excl.**

Instead of 207 €VAT Excl.\*



**AXLE TRAILERS NUT SOCKET SAF 85mm HEX**

TN

OM 0376



**159 €VAT Excl.**

Instead of 172 €VAT Excl.\*

**Specifications:**

- 36mm hexagonal drive



**8-SIDED HUB SOCKET R.O.R TRAILERS 84mm**

TN

OM 0330



**229 €VAT Excl.**

Instead of 284 €VAT Excl.\*



**HUB SOCKET BPW TRAILERS 6.5-9T**

TN

OM 0334



**190 €VAT Excl.**

Instead of 229 €VAT Excl.\*



**HUB SOCKET BPW TRAILER 12T**

TN

OM 0335



**139 €VAT Excl.**

Instead of 169 €VAT Excl.\*



**MAN/MERCEDES DIFFERENTIAL REAR NUT 6 PIN SOCKET Ø113mm**

TN

OM 0353



**179 €VAT Excl.**

Instead of 207 €VAT Excl.\*



**6 PIN REAR AXLE NUT SOCKET MERCEDES/MAN Ø87mm**

TN

OM 0386



**239 €VAT Excl.**

Instead of 280 €VAT Excl.\*



**RECTANGULAR HUB SOCKET MAN/MERCEDES 60x76mm**

TN

OM 0313



**169 €VAT Excl.**

Instead of 196 €VAT Excl.\*



**6 PIN SOCKET FOR REAR AXLE NUT MERCEDES CITARO Ø123.5mm**

TN

OM 0354

**269 €VAT Excl.**

Instead of 318 €VAT Excl.\*

Pin width: 10.8mm  
Hex. drive 32mm



**HEX MERCEDES HUB SOCKET Ø95mm 1"**

TN

OM 0301



**299 €VAT Excl.**

Instead of 325 €VAT Excl.\*



## DUAL-CONTROL HYDRAULIC PRESS 50T SLIDING CYLINDER

OH 0951

**3390 €VAT Excl.\***



1 DRAWER TOOLBOX-FRIDGE 50I  
(AP 0080) 450 €VAT Excl.



**FREE**



Sliding cylinder  
jack winch-  
assisted table



### Specifications:

- hydraulic pump
- manual override or hydropneumatic pedal
- chrome piston with adjusting screw
- sliding cylinder jack with handle and rating scale
- polycarbonate protection to protect the operator from splinters
- table height adjustable 12 positions
- winch-assisted up and down movement of the table
- 2 oversized pins to hold the table in place
- 226x136x55mm sliding drip tray
- large manometer
- reversible V-shaped support block, including punch kit and protective polycarbonate



**50T**



Protective polycarbonate screen  
to shield the operator included  
with all models

## HYDROPNEUMATIC PRESS 100T

OH 0910

**6490 €VAT Excl.\***

Instead of 7890 €VAT Excl.\*

### Specifications:

- hydraulic pump
- manual control or hydropneumatic pedal (dual pedal up and down)
- chrome plated piston with adjustment screw
- sliding cylinder with handle and positioning scale
- polycarbonate screen protection (5,5 cm) to protect the operator against possible splinters
- table height adjustable in 12 positions
- table raising/lowering assisted by winch
- table holding by 2 oversized pins
- large pressure gauge
- reversible V-shaped support block and plexiglass set included.

Option:

- OH0810: 100T puncher tools



**100T**





## SWIVEL PRESS 100T+PUNCHES

OH 0570

Quick three-dimensional adjustment allowing use directly on vehicles.

Inner press frame dimensions: 250x600mm

**6790 €VAT Excl.**

Instead of 7490 €VAT Excl.\*



### Contents:

- 180° swivelling press on mobile trolley with handling handle
- hydropneumatic pump 700bar suitable for body repair/lifting/ extraction hydraulic rams
- flexible hose L. 200cm
- Punches:
  - Ø21,5x150mm
  - Ø24,5x150mm
  - Ø29x120mm
  - Ø29x220mm
  - Ø35x120mm
  - Ø39x150mm
  - Ø39x220mm
- MERCEDES ACTROS-SK-0404 ring
- reduction washer 35/25mm
- reduction washer 70/65mm



**100T**



## 3/8" AdBlue® D. FILTER WRENCH Ø46mm MERCEDES BLUE-TEC

TN

OM 9210



**19 €VAT Excl.**

Instead of 22 €VAT Excl.\*



## ANTI-CRYSTALLIZATION ADDITIVE AdBlue® 5L

TN

CO 1060



Ensures the longevity of components



**129 €VAT Excl.**

Instead of 159 €VAT Excl.\*

### Specifications:

- 300ml graduated anti-crystallization can
- liquid appearance
- colourless
- PH5
- flash point below 70°
- relative density : 1
- non explosive, non oxidizing



## PNEUMATIC INJECTOR PULLER

TN

OP 9110

Accessory of OH 0027/OH 0025/OM 9250/OM 9366

**259 €VAT Excl.**

Instead of 269 €VAT Excl.\*

### Specifications:

- max. cylinder height: 150mm
- min. cylinder height: 135mm
- overall hose length: 780mm
- regulated working pressure from 5 - 8 Bar (<100L/min)

### Contents:

- 19 pieces (screws and adapter) M8/M10/M12/M14/M15/M17/M19
- 1 hose
- 1 pneumatic cylinder



## DIGITAL PRESSURE CONTROL UNIT MASTER KIT

TN

AC 0800

**1615 €VAT Excl.\***



OIL PRESSURE ADAPTERS

AC 0815 229 €VAT Excl.



**FREE**

### Contents:

- 1 TFT color display tester 7" with resistive touch screen
  - battery: lithium polymer 3.7V / 2000mA
  - USB smart battery charging with LED indicator
  - PC connection via USB port
  - ABS case with rubber bumpers
  - all screws are mounted on brass inserts
  - 1/4 thread brass insert at the back to fix the bracket
  - 1 sensor 0/300 bar (2m)
  - 1 sensor -1/+3 bar (2,90m)
  - 1 universal diesel compression adapter
  - 1 universal fuel compression adapter
  - 12 quick connectors, original manufacturer, extremely flexible
- All components are available at retail



PRIX 2020  
Coup de cœur



Scan to see the contents!



Clear and precise reading of live values



## CRANKSHAFT REAR SEAL INSTALLATION TOOL SCANIA Ø175mm

TN

OM 0492

**Engines:** 8.9I PDE, 9.3I PDE, 10.6I PDE, 11.7I PDE,  
11.7I HPI, 15.6I PDE, serie 4, serie S, serie 520  
For seal ref OEM 1433183

**399 €VAT Excl.**

Instead of 472 €VAT Excl.\*



## CRANKSHAFT REAR SEAL INSTALLATION TOOL SCANIA Ø175-185mm

OM 0494

**Engines:** 8.9I PDE, 9.3I PDE, 10.6I PDE, 11.7I PDE,  
11.7I HPI, 15.6I PDE  
OEM ref for seal Ø175: 1433183

**599 €VAT Excl.**

Instead of 669 €VAT Excl.\*



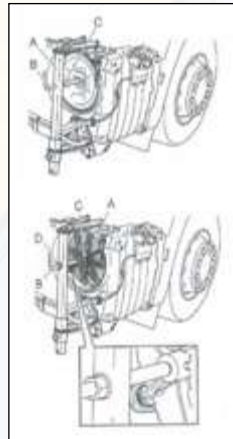
## DPF ASSEMBLY/DISASSEMBLY SCANIA

TN

OM 7051

**850 €VAT Excl.**

Instead of 999 €VAT Excl.\*



For 5 and 6 cylinder engines (DC09-DC13)



## DOUBLE FAP SCANIA MOUNTING/ DISMOUNTING TOOL

TN

OM 7052

**990 €VAT Excl.**

Instead of 1199 €VAT Excl.\*



## 500ml PHOSPHATE TREATMENT

TN

CO 1078



**Best before  
painting**



PRICE BY 12

**18 €VAT Excl.**  
per unit

Instead of 19 €VAT Excl.\*



## HGV COOLING LINE TESTER SET

TN

AC 1002

Affectations : GM, Kenworth,  
Peterbilt, Freightliner

**299 €VAT Excl.**

Instead of 339 €VAT Excl.\*



### Contents:

- 5 metal plugs with quick coupling
- pressure regulator with relief valve
- control manometer 0 to 5bar
- vacuum filling kit
- 3 conical filling adapters
- filling pressure gauge -1 to 0bar
- filling pipes with strainer



## DRY AND WET VACUUM CLEANER 2x1000W+FRONT BRUSH ASSEMBLY 600mm

EG 0045

- stainless steel tank mounted on a 4-wheel dolly
- 2 motors of 1000W each
- 80l tank Ø420mm
- drain on 500mm tank
- pressure: 21kPa
- air flow: 108l/s
- sound level: 73dB
- supply 230V 4m cable
- power: 2000W
- dimensions (lengthxdepthxheight): 540x595x9

**399 €VAT Excl.**

Instead of 459 €VAT Excl.\*



### Included accessories:

- SA0442: thin tip with connector Ø42mm
- SA0443: Ø60mm brush with connector Ø42mm
- Ø42mm handle with accessory connector Ø37mm
- SA0440: 2200mm flexible hose Ø42mm
- SA0444: Ø37mm scraper
- SA0445: Ø37mm brush length 400mm
- SA0441: cloth filter
- SA0045: front brush assembly 600mm with hose



## STRIPPING | RUST REMOVER

**+** Special soaking

**+** Precise application

**+** 2 in 1

		Selection price	Catalog price*
CO 1086	STRIPPING LIQUID 1L	18 €VAT Excl.	19 €VAT Excl.
CO 1087	500ml STRIPPING GEL	14 €VAT Excl.	15 €VAT Excl.
CO 1088	400ml RUST REMOVER SOLVENT	25 €VAT Excl.	29 €VAT Excl.



CO 1086



CO 1087



CO 1088

NO WARRANTY

## BODY WORK DEGREASER

**+** Cleans and degreases all types of dirt.

		Selection price	Catalog price*
CO 0506	BODYWORK DEGREASER 1L	11 €VAT Excl.	12 €VAT Excl.
CO 0507	BODYWORK DEGREASER 5L	25 €VAT Excl.	26 €VAT Excl.



CO 0506



CO 0506

NO WARRANTY

# 7 DRAWERS ROLLER CABINET 252 HGV TOOLS

EG 4252



OS 1000



OS 2000



OS 2100



OS 3200



OS 3000



OS 3600



OS 5399



OS 5499



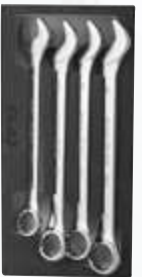
OS 4100



OS 5200



OS 5000



OS 4200



OS 6000



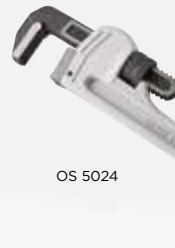
OS 0850



OS 3450



OS 1100



OS 5024



OM 2332

- OS1000 : 1 x screwdriver insert (8pcs)
- EG0087 : 1 x 7-drawer trolley
- OS2000 : 1 x t-wrench insert hexagonal 3-10mm (7 pcs)
- OS2100 : 1 x t-wrench insert torx t10-t40 (7 pcs)
- OS3200 : 1 x 1/4" ratchet insert (59 pcs)
- OS4100 : 1 x combination wrench insert 6-24mm (17 pcs)
- OS4200 : 1 x combination wrench insert 27-32mm (4 pcs)
- OS5399 : 1 x hexagonal socket wrench insert 8-19mm (12 pcs)
- OS5499 : 1 x 6-sided pipe wrench insert 20-24mm (5 pcs)
- OS5000 : 1 x pliers insert (4 pcs)
- OS5200 : 1 x circlip insert 7" inside-outside (4pcs)
- OS6000 : 1 x special bits insert (43pcs)
- OS3000 : 1 x 1/2" ratchet insert (23pcs)
- OS0850 : 1 x hammer insert (10 pcs)
- OS3600 : 1 x ratchet insert 3/8" (21 pcs)
- OS5024 : 1 x aluminum claw wrench 607mm
- OS3450 : 1 x 3/4" ratchet+socket set (14 pcs)
- OM2332 : 1 x socket set pl bits 3/4" xzn 6-18 torx t70-t100 (6 pcs)
- OS1100 : 1 x screwdriver insert torx t10-40 (7 pcs)



**1990 €VAT Excl.**

Instead of 2190 €VAT Excl.\*



RECHARGEABLE WIRELESS SPEAKER  
PORTABLE LIGHT IK07

(OE 0159) 89 €VAT Excl.



**FREE**

## LIFTING TABLE 1500kg FOR EV BATTERY AND HEAVY ORGANS

OH 1500

This table is specially designed for the removal and support of heavy parts not exceeding 1.5T max load, such as a battery of electric vehicles or a powertrain. Versatile, it will adapt to all your needs thanks to its many settings and optional supports on request. Due to its robust design, it has been designed to meet the needs of intensive use.

**9990 €VAT Excl.**

Instead of 10990 €VAT Excl.\*

- anti-crushing system
- safety release control
- enhanced stability



• rack release button



• braked wheel system

Forklift location

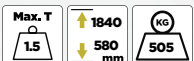
• rack lock  
• release piston



**High load 1500Kg**  
**High precision of settings**

### Specifications:

- h. min.: 580mm
- h. max.: 1800mm
- max. height on safety catches: 1740mm
- rise time (depending on the load) : 70-110 sec (example: 73 seconds with a load of 457 kg)
- lowering time (depending on the load): +- 30 sec (example: 34 seconds with a load of 457 kg)
- platform length: 1400-1600mm
- platform width: 800mm
- overall length of telescopic frame: 1650mm to 1850mm
- equipped with two wheels made of aluminium and polyurethane : 2 fixed and 2 swivel with brake
- PU wheels
- max hydraulic pressure : 190bar
- pneumatic supply : 6-8bar
- weight : 430kg



## AUTOMATIC BUS AIR-CONDITIONING STATION

Ideal for large systems thanks to its 40Kg cylinder and 200L/min vacuum pump

NEW



Integrated data vehicles



Heating belt



New oil tank

Tracer

Used oil recovery tank

### AUTOMATIC BUS AIR CONDITIONER STATION R1234yf

AC 8744

R1234yf

**5990 €VAT Excl.**

Instead of 6549 €VAT Excl.\*

### AUTOMATIC BUS AIR CONDITIONER STATION R134a

AC 8944

R134a

**4990 €VAT Excl.**

Instead of 5290 €VAT Excl.\*

#### Specifications:

- 264x64 pixel LCD display
- 40kg bottle capacity
- heating belt
- 3m flexible hose
- HP/BP couplers included
- scale accuracy +/- 5g
- automatic oil injection
- automatic tracer injection
- printer
- 20cc compressor
- 200 L/min vacuum pump
- automatic air purge system
- database
- A/C diagnostics Pressure test only
- hybrid vehicle function Quick oil flush option
- calibration/locking tool
- data transfer to PC
- voltage 220V/50 Hz
- product dimensions 55x60x120 cm
- weight 126Kg for AC 8744 et 117Kg for AC 8944

