



Selection
CLAS[®]
B.LINE

FROM 01/04 TO 31/07/2024

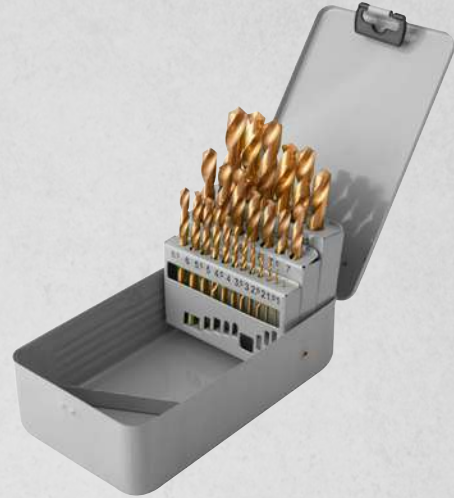
DRILL SET HSS4241 (25 PCS)

EG 0670BL

TN

19 €VAT Excl.

Instead of 23 €VAT Excl.*



Contents:

- drills from 1.0 to 13.0mm, every 0.5mm

NO
WARRANTY

DRILL SET HSS4241 (170 PCS)

EG 0671BL

TN

79 €VAT Excl.

Instead of 90 €VAT Excl.*

Contents:

- 10 drills bits of 1mm
- 10 drills bits of 1,5mm
- 10 drills bits of 2mm
- 10 drills bits of 2,5mm
- 10 drills bits of 3mm
- 10 drills bits of 3,5mm
- 10 drills bits of 4mm
- 10 drills bits of 4,5mm
- 10 drills bits of 5mm
- 10 drills bits of 5,5mm
- 10 drills bits of 6mm
- 10 drills bits of 6,5mm
- 10 drills bits of 7mm
- 10 drills bits of 7,5mm
- 10 drills bits of 8mm
- 5 drills bits of 8,5mm
- 5 drills bits of 9mm
- 5 drills bits of 9,5mm
- 5 drills bits of 10mm



NO
WARRANTY

ULTRATHIN CORDLESS RECHARGEABLE LAMP WITH VARIABLE INTENSITY

OE 0145BL

TN

+ Economical

Hand lamp equipped with a dimmer.
Rechargeable via USB cable provided.

Specifications:

- ultra thin head: 23x14mm
- COB LED lighting
- power: 10-600lm
- 6500 Kelvin
- dimmer (adjustable knob)
- autonomy : 2 to 10h
- charging time: 4h
- battery type: Li-ion 3.7V - 2600mAh
- recharge : USB-micro USB cable
- 360° articulated hand lamp
- mounting: hook + magnet
- dimensions: 40x45x384mm
- weight: 175g

17 €VAT Excl.

Instead of 19,90 €VAT Excl.*



2
WARRANTY



SEMI-AUTOMATIC TIRE CHANGER 10"-21" 1 SPEED 230V

DM 0600BL

Semi-automatic tire changer specially designed for effortless mounting and dismounting of car, truck and 4x4 tires.

1899 €VAT Excl.

FREE

**1/2" CROSS TORQUE WRENCH 70-170Nm
490mm + 3 SOCKETS**

DM 0755 | 109 €VAT Excl.



**TRANSLUCENT TIRE MOUNTING
CREAM 5kg**

DM 1303 | 39 €VAT Excl.



Specifications:

- maximum tire width: 3 to 12 inches
- outer rim diameter: 10 to 18 inches
- inside rim diameter: 12 to 21 inches
- rotation speed: 6.5 rpm
- ergonomic, intuitive crankset
- operating pressure: 8-10bar
- air cleaner and oil lubricator
- tubeless inflation safety valve: 3.5bar
- power: 0.85-1.1kW
- bead breaker power: 2500kg
- weight: 177kg

Contents:

- SA0172: 1 protective plate for steel heads
- SA8903: 5 protective clips for steel heads
- SA8906: set of 4 aluminum rim protectors
- 1 tire changer with aluminum rim protector



MANUAL MOTORIZED WHEEL BALANCER LED SCREEN

EQ 0600BL

Wheel balancer designed for dynamic or static balancing of VL-VUL-4X4 wheels. The advantage of this machine is its modern, ergonomic design. The intuitive calibration system makes work easier and improves balancing accuracy. The machine is equipped with an LED display. Manual parameter entry.

1599 €VAT Excl.

FREE

CYLINDRICAL UNIVERSAL CENTERING PLATE Ø40mm

EQ 6400BL 489 €VAT Excl.



Specifications:

- power supply: 230V-50Hz
- motor power: 180W
- dimensions open housing: 880x980x1420mm
- LED display
- maximum wheel weight: 65kg
- minimum rim diameter: 10 inches
- max rim diameter: 24 inches
- rim width: from 1 to 20 inches
- manual measurement of 3 parameters: offset-diameter-width
- safety housing
- rotation speed: 200 rpm
- compartmentalized tray for cones and weights
- 4 storage racks
- noise level <70dB
- weight: 87kg



4 CENTERING CONE SET Ø40mm from 40 to 137mm

EQ 6521BL

Accessory of EQ 1000/EQ 2100/EQ 0600BL

79 €VAT Excl.

Instead of 94 €VAT Excl.*



TROLLEY JACK 2T

OH 6302BL

57 €VAT Excl.

Instead of 62 €VAT Excl.*



Specifications:

- rotating soleplate
- robust chassis
- anti-overload system
- transportation handle
- min. H.: 135mm
- max. H.: 340mm
- handle length: 740mm
- dimensions: 447x196x135mm
- weight: 8.7kg



2T



PAIR OF 2T JACK STANDS WITH SECURITY PIN

OM 3002BL

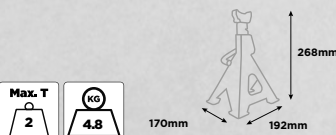
39 €VAT Excl.

Instead of 41 €VAT Excl.*



Specifications:

- min. H.: 268mm
- max. H.: 418mm
- base : 170x192mm
- weight: 4.8kg



2T



TN

AIR REEL Ø8mm 10m

OP 0083BL

Specifications:

- high-quality PU tubing
- resistant PP housing
- length 10+1.5m
- Øint. 8mm
- Øext. 12mm
- 1/4" connection
- 180° swivel wall bracket
- high-strength spring tension
- 10bar pressure
- deactivatable shut-off device

+ Winding guidance

79 €VAT Excl.*

FREE
VARIABLE BLOWGUN BLACK METALLIC NOZZLE
OP 0520 19 €VAT Excl.



**1/2" D. IMPACT WRENCH
1600Nm DOUBLE HAMMER**

OP 1522BL

TN

+ One-hand reverser



59 €VAT Excl.

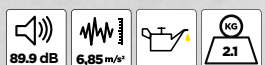
Instead of 69 €VAT Excl.*

Specifications:

- dual hammer technology
- loosening torque: 1600Nm
- tightening torque: 850Nm
- speed: 8,500 rpm
- connection: 1/4"
- recommended hose Ø: 10mm
- supply pressure: 6.2bar
- consumption: 170l/min
- length: 185mm
- net weight: 2.1kg
- supplied with connector

- Features :
- 4-position variator
 - exhaust handle
 - one-hand reverser

EN ISO 15744:2008
EN ISO 4871
EN ISO 11148-6:2012



**1/2" D. IMPACT WRENCH SET
1600Nm FOR WHEELS (19 PCS)**

OP 1550BL

TN

139 €VAT Excl.

Instead of 159 €VAT Excl.*

+ All in one



Specifications:

- double hammer technology
- loosening torque: 1600Nm
- max tightening torque: 850Nm
- speed: 8.500rpm
- connection: 1/4"
- recommended hose Ø: 10mm
- supply pressure: 6.2bar
- consumption: 170l/min
- length: 185mm
- net weight: 2.1kg



CAR WASH SET (7PCS)

EG 001BL

14 €VAT Excl.*



+ Screwdriver-compatible brushes



2
WARRANTY

Contents:

- 4 soft-bristle brushes: 10-14-16-18mm
- 3 stiff brushes
- 2 flat brushes: 45-120mm
- 1 round-head brush: 85mm

FOUR ARM WRENCH 1/2" 17-19-21mm

OM 0766BL



10 €VAT Excl.

Instead of 14 €VAT Excl.*

Specifications:

- central square brace
- 3 hexagonal impressions: 17,19 and 21mm
- 1 square 1/2" impression to accommodate all sockets

2
WARRANTY

TORQUE WRENCH 1/2" 40-210Nm 450mm

OM 0790BL

+ Delivered with calibration certificate

49 €VAT Excl.

Instead of 69 €VAT Excl.*



2
WARRANTY

1/2" SHEATHED ALU WHEEL RIM SOCKET SET (3 PCS)

OM 7003BL

Sheathed sockets to avoid rim damage, colored to enable immediate size identification. Also available on steel rims.

30 €VAT Excl.

Instead of 33 €VAT Excl.*



Maximum tightening torque:

- socket 17mm: 510Nm
- socket 19mm: 637Nm
- socket 21mm: 682Nm



+ Anti-scratch

2
WARRANTY

PNEUMATIC VACUUM BRAKE BLEEDER

TN

OP 0053BL

59 €VAT Excl.

Instead of 74 €VAT Excl.*



BRAKE PNEUMATIC BLEEDER

TN

HU 0051BL

Spare part of HU 0050BL

Allows to bleed hydraulic brakes and clutches thanks to its pneumatic operation working in push.

120 €VAT Excl.

Instead of 142 €VAT Excl.*



Specifications:

- operation: pneumatic
- quick-connect hose for the installation of the different plugs
- handle
- maximum pressure: 10bar
- capacity: 5l (DOT3/DOT4/DOT5/DOT6/LHM/Pentosin/LHS)



PNEUMATIC BRAKE BLEEDER SET

TN

HU 0050BL

Allows to bleed hydraulic brakes and clutches thanks to its pneumatic operation working in push.

219 €VAT Excl.

FREE

BRAKE CALIPER RIGID SPRING PULLER

OM 2121 109 €VAT Excl.



Contents:

- 11 plugs set including universal E20
- 1 recovery jerrycan

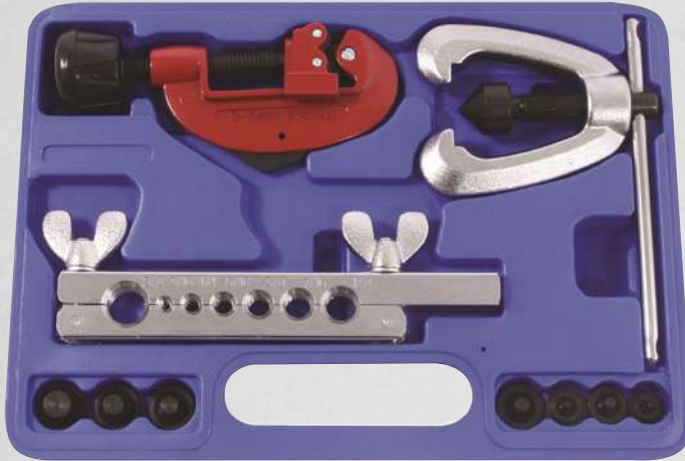
Specifications:

- pneumatic system
- quick-connect hose for different plugs installation
- handle
- maximum pressure 10 bar
- capacity 5 liters (DOT3/DOT4/DOT5/DOT6/LHM/Pentosin/LHS)



**REPAIR TOOL SAE MALE/
FEMALE SET**

OM 8050BL



59 €VAT Excl.

Instead of 69 €VAT Excl.*

Contents:

- adapters: Ø3/16" (4.75mm)-5/8"-1/2"-7/16"-3/8"-5/16"-1/4"
- tube cutter Ø3 to 30mm

SAE: male cone
DIN: female cone



BRAKE BLEEDER AND MANUAL CLUTCH 3L

HU 1130BL

Allows manual bleeding of brakes and/or clutch quickly and easily.

Self-contained bleeder: no need for a power source, thanks to its built-in manual pump.

With a capacity of 3L, you can completely purge your vehicle. Supplied with recovery canister, cap and Ø42mm adapter.



ABS compatible

79 €VAT Excl.*

FREE

BRAKE FLUID TESTER PROBE

AC 5004 21 €VAT Excl.



Specifications:

- 3L capacity
- discharge valve
- pressure gauge
- quick-release coupling



STRAP WRENCH DEHYDRATING CARTRIDGE

TN

HU 0010BL

14 €VAT Excl.

Instead of 15 €VAT Excl.*



Length of the strap: 500mm



3/8" DRAIN BIT SET+T-HANDLE WRENCH (12PCS)

TN

HU 2002BL

15 €VAT Excl.

Instead of 21 €VAT Excl.*



Contents:

- 3/8" hex: 8-9-10-12-14-17mm
- square 3/8", 5/16": 11mm-13mm
- 1 sliding handle



METAL TRANSFER PUMP

TN

HU 0014BL

Pump with a lateral lever, ideal for transferring various types of liquid (non corrosive) such as oil, diesel or kerosene from a standard 200l barrel.

25 €VAT Excl.

Instead of 33 €VAT Excl.*



Specifications:

- flow: 20l/min
- extendable tube to reach the bottom of the barrel



25L WASTE OIL DRAINER

TN

HU 0185BL

This oil drainer allows you to change engine oil by suction only. Thanks to its various probes (rigid and flexible) with diameters ranging from 5mm to 8mm.

239 €VAT Excl.

Instead of 249 €VAT Excl.*

Specifications:

- tank height: 470mm
- tank drain 1400mm
- 1400mm suction hose
- 3 flexible probes: Ø8; Ø6; Ø5 / L: 910mm
- 2 rigid probes: Ø6; Ø8 / L: 700mm
- case for probe L 680mm
- mano: from 0.2b to -1b
- venturi system
- supply: 6 to 8bar
- supply for tank emptying: 1bar Max
- level indicator

+ Operates on its own: can also be used outdoors



ROTARY DOG BONE WRENCH FOR DRAINING

HU 2021BL

Hexagonal: 10-12-14-17mm
Square: 8-10-3/8"-1/2"

25 €VAT Excl.

Instead of 35 €VAT Excl.*



6 MULTI-BRAND CAP OIL FILTER SET

HU 1995BL

VAG, Opel, Mercedes, Fiat,
Ford, Renault, Nissan, Toyota,
Isuzu, Mitsubishi

35 €VAT Excl.

Instead of 39 €VAT Excl.*

Contents:

- oil filter wrench 76x14
- oil filter wrench 76x12
- oil filter wrench 65x14
- oil filter wrench 78x15
- oil filter wrench 100x15
- filter wrenches 1/2" and 3/8"

FREE

FILTER WRENCH OIL/PETROL 3/8"
MANN/MAHLE/KNECHT

HU 2258 16 €VAT Excl.



70L GREY WASTE OIL DRAINER

HU 0079BL

199 €VAT Excl.

Instead of 239 €VAT Excl.*



Specifications:

- capacity: 70l
- air pressure for oil discharge: 1 to 2 bar
- standard: tool plate+stand for scroll
- 4 wheels (2 swivel wheels)
- min height: 1005mm
- max height: 1610mm
- total container capacity: 620mm
- Ø tray: 420mm
- drain hose length 1.40m
- weight: 19kg



LOAD TESTER (LED) FOR 12V BATTERIES AND ALTERNATORS

OE 0035BL

Allows charge level of batteries and 12V alternators to be read thanks to 3 colored LED indicators (red/yellow/green).

12 €VAT Excl.

Instead of 14 €VAT Excl.*



Specifications:

- DC voltage: 200mV-2000mV-20V-200V-500V
- AC voltage: 200V-500V
- DC current: 200uA-20mA-200mA
- resistance: 200ohm-2000ohm-20Kohm-200Kohm-2000Kohm
- battery: 6LR61 PP3
- dimensions: 126x70x24mm



CAT.I DIGITAL MULTIMETER

OE 3008BL

12 €VAT Excl.

Instead of 15 €VAT Excl.*



Specifications:

- DC voltage: 200mV-2000mV-20V-200V-500V
- AC voltage: 200V-500V
- DC current: 200uA-20mA-200mA
- resistance: 200ohm-2000ohm-20Kohm-200Kohm-2000Kohm
- battery: 6LR61 PP3
- dimensions: 126x70x24mm



POLARITY/CONTINUITY TESTER 3 TO 48V

OE 0065BL

Voltage and battery tester for cars, HGVs and motorbikes. Positive/negative cables test.

9 €VAT Excl.

Instead of 10 €VAT Excl.*



PAIR OF SPRING COMPRESSORS WITH SAFETY PINS

OM 3630BL

These shock absorber spring compressors enable shock absorber springs to compress on passenger vehicles and commercial vehicles. They are equipped with a security pin on the spring retainer.

50 €VAT Excl.

Instead of 53 €VAT Excl.*



Specifications:

- max. jaw opening: 255mm
- max. spring Ø: 18mm
- double drive 21mm and 1/2"



JOINT PULLER SET Ø23-Ø34mm (3 PCS)

OM 2510BL

Ø34 H.63mm
Ø28 H.55mm
Ø23 H.55mm

Contents:

- hub extractor
- bearing extractor
- 2 supports: 2 and 3 grips
- 3 grips 90mm
- 1x4-hole hub extractor, capacity Ø100-120mm
- 1x4-hole hub extractor, capacity Ø120-150mm
- 1 inertial cup extractor
- 1 screw centerer
- 1 screw extractor- mass 2.240kg- Axle 500mm

65 €VAT Excl.

Instead of 72 €VAT Excl.*



SLIDE HAMMER/PULLER SET

OM 3410BL

Contents:

- hub extractor
- bearing extractor
- 2 supports: 2 and 3 grips
- 3 grips 90mm
- 1x4-hole hub extractor, capacity Ø100-120mm
- 1x4-hole hub extractor, capacity Ø120-150mm
- 1 inertial cup extractor
- 1 screw centerer
- 1 screw extractor- mass 2.240kg- Axle 500mm

95 €VAT Excl.

Instead of 99 €VAT Excl.*



BEARING INSTALLATION/EXTRACTION KIT

OM 3517BL

129 €VAT Excl.

Instead of 139 €VAT Excl.*

Contents:

- 9 adapters Ø55.5-59-62-65-66-71.5-73-78-84mm
- 3 races Ø76-86-91mm
- 3 thrust screws M12x1.25
- 3 thrust screws M12x1.5
- 3 thrust screws M14x1.5



VACUUM PUMP AND FUEL CONTROL SET

TN

AC 0001BL

19 €VAT Excl.

Instead of 32 €VAT Excl.*



Delivered with 1 connection hose and its accessories

Specifications:

- allows vacuum settings of 0 -28inHg or 0-70cmHg
- allows pressure settings of 0-0.7Kg/cm2 or 0-10PSIG



PETROL COMPRESSION GAUGE

TN

AC 0114BL

19 €VAT Excl.

Instead of 29 €VAT Excl.*



Specifications:

- 3 to 20bar manometer
- release valve
- straight universal adapter
- screw connector 14 and 18mm



MULTI-BRAND COMPRESSION GAUGE PETROL-DIESEL/DCI

TN

AC 2018BL

Complete set for petrol and diesel engines with direct and indirect injection.

219 €VAT Excl.

Instead of 299 €VAT Excl.*



Specifications:

- quick connector adapter
- 1.400mm hose for difficult access points
- 0 to 40bar manometer with release valve

PSA, VAG, Alfa, BMW, Chrysler, Daewoo, Daihatsu, Fiat, Ford, Honda, Hyundai, Isuzu, Jeep, Kia, Lada, Lancia, Land Rover, LDV, Mazda, Mercedes, MG, Mitsubishi, Nissan, Opel, Renault, Rover, Saab, Ssangyong, Suzuki, Toyota, Volvo.



1T FOLDABLE CRANE

OH 0336BL



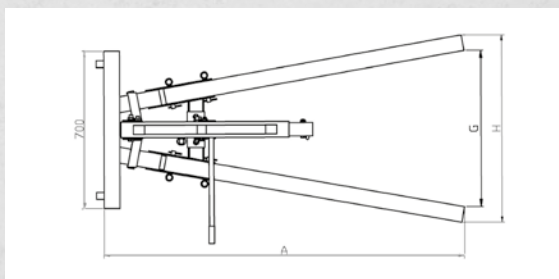
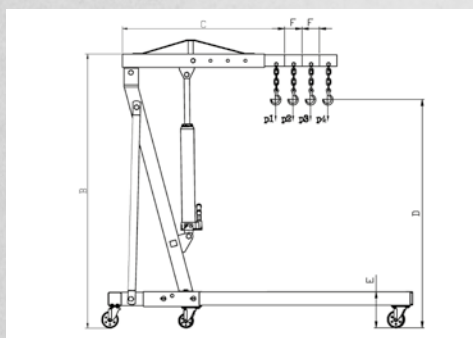
279 €VAT Excl.

Instead of 299 €VAT Excl.*

FREE

RECHARGEABLE WIRELESS SPEAKER
PORTABLE LIGHT IK07

OE 0159 89 €VAT Excl.



REF	Capacité Capacity	A (mm)	B (mm)	D (mm)	E (mm)	F (mm)	G (mm)	H (mm)
OH 0336BL	1T	1608	1435	420-1960	180	92	760	834

REF	P1 (kg)	P2 (kg)	P3 (kg)	P4 (kg)
OH 0336BL	1000	750	500	250

Specifications:

- lifting capacity: 0-2060mm
- 4 positions arm: 1000-750-500-250kg
- height feet: 185mm
- 6 rotating wheels



1T



COMMON RAIL INJECTOR TESTER

TN

AC 5240BL

Covers most vehicles with Common Rail Bosch (apart from Opel), Denso, Delphi and Siemens. This set can detect flow problems in injectors.

59 €VAT Excl.

Instead of 85 €VAT Excl.*



Specifications:

- C1 Bosch 90° injectors
- C2 VDO/Siemens 90° injectors
- C3 Denso 90° injectors
- flask capacity 50ml



INJECTOR SEAT CLEANING KIT

TN

OM 9100BL

This 21-piece B-LINE universal case allows the cleaning and repair of injector wells. Once paired with one of these 3 cutters, the depth-adjustable cutter holder guarantees not to exceed the specified rework tolerance.

189 €VAT Excl.

Instead of 199 €VAT Excl.*



Contents:

- OM 9280: 1 injector gasket extractor
- 1 reamer support
- SA9100: 1 brush drive line
- SA9110: 2 small diameter injector well brushes
- SA9111: 2 large diameter injector well brushes
- SA9112: 1 brush support
- 6 injector well plugs
- 2 flat reamers Ø17mm
- 1 conical reamer Ø17mm



COOLING SYSTEM TESTER (18 PCS)

AC 1120BL

TN

129 €VAT Excl.

Instead of 149 €VAT Excl.*



Contents:

- 1 test pump with air release valve
- 0 to 2.5bar manometer
- 10 ABS screwed plugs (coded by color and number)
- 3x1/4 turn metal plugs
- 1 plug screwing wrench
- 1 thermometer 0 to 200°C
- 2 R123/R124 and R123/R125 connectors



PRESSURE VACUUM PUMP (-0.5/+3bar)

AC 0550BL

TN

79 €VAT Excl.

Instead of 115 €VAT Excl.*



Contents:

- 1 set of 5 bits
- 1 set 4 pipe extensions + 4 bits
- collection container with 2 lids
- 2 500mm extensions



COOLANT FILLING FUNNEL KIT (12PCS)

AC 1005BL

TN

Anti-splash coolant funnel kit with adapter.

+ Shut off valve

24 €VAT Excl.*



Specifications:

- Supplied with 5 plugs and cover
- 2 45° elbows
- 1 straight 127mm extension
- 2 rubber sheaths
- Automatic valve



TIMING TOOLS RENAULT

OM 3641BL

45 €VAT Excl.

Instead of 75 €VAT Excl.*



Models:
CLIO, MEGANE, SCENIC, LAGUNA, ESPACE, KANGOO, TRAFIC, MASTER(99-04).
Engines:
1.5, 1.9, 2.2, 2.5 DCI

CODES MOTEURS

K9K	G9T	G9U
-----	-----	-----



TIMING TOOLS RENAULT PETROL/DIESEL

OM 3675BL

62 €VAT Excl.

Instead of 98 €VAT Excl.*



Gasoline engines:
1.2, 1.4, 1.6, 1.8, 2.0
Diesel engines:
1.9/TD/DTI, 2.2D/TD, 2.5D, 2.8DTI, 1.5DCI, 1.9DCI, 2.2DCI, 2.5DCI



TIMING TOOLS VAG

TN

OM 3712BL

12 €VAT Excl.

Instead of 21 €VAT Excl.*



Modèles :

VW : Polo, Fox, Eos
Seat : Ibiza, Cordoba
Skoda : Fabia

Moteurs :

1.2 6V, 1.2 12V

CODES MOTEURS

AWY	AZQ	BMD	BME
-----	-----	-----	-----



TIMING TOOLS PSA

TN

OM 4045BL

49 €VAT Excl.

Instead of 89 €VAT Excl.*



Modèles :

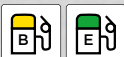
Citroën : Synergie / Evasion - Berlingo - Jumpy - C2 - C3 - C5 - Relay / Jumper
Peugeot : 106 - 205 - 206 - 305 - 306 - 307 - 309 - 405 - 406 - 406 Coupe - 605 - 607 - 806 - 807- Express -Expert
Partner - Boxer

Moteurs :

Essence : 1.0, 1.1, 1.4, 1.5, 1.6, 1.6 16V, 1.8, 1.8 16V, 1.9, 2.0, 2.0 16V,
Diesel : 1.4D, 1.4HdI, 1.5D, 1.7D, 1.7TD, 1.9D, 1.9TD, 2.0, 2.0Hdi, 2.1TD, 2.1TD, 2.2D, 2.5TD, 2.2Hdi

CODES MOTEURS

159A	161A	171B	171C	171D	180A	180Z	3FZ (EW12J4)	4HX (DW12ATED)	4HZ (DW12ATED)	6FZ (EW7J4)
A8A	A9A	AJZ	B1A	B1A E	B1A F	B1E	B2A	B2B		B2C
B4A	B6D	B6E	BAY	BDY	BDY	BDZ	BFZ	C1A		CDY
CDZ	D2A C	D2A E	D2A F	D6A	D6B	D6D	D6E	D8A		D8B
D8C	D9B	DDZ	DFZ	DHV W	DHV X	DHV Y	DJ5 (T9A)	DJ5T (T8A)		DJY
DJZ	DKZ	EW10J4D	EW7J4	H1A	HDY	HDZ	HFY	HFZ		K1A
K1F	K1G	K2A	K2B	K2D	K3A	K6B	KDX	KDY		KDZ
KFW	KFX	KFY	KFZ	L6A	LFW	LFX	LFY (XU7JP4)	LFZ		M4A
NFU	NFX (TU5J4/L3)	NFZ	P8A	P8B	P8C	P9A	PHZ (XUD11)	R2A		R5A
R6A	R6D									

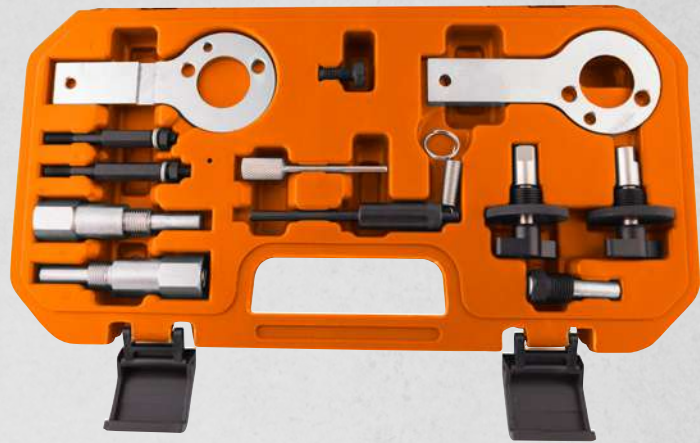


TIMING TOOLS FIAT/OPEL/VAUXHALL 1.3-1.9 CDTI

OM 4051BL

39 €VAT Excl.

Instead of 69 €VAT Excl.*



Models:

Opel : Corsa, Astra, Combo, Meriva, Signum, Tigra, Vectra, Safira
Saab : 9.3(2004-2009) et 9.5(2004-2010) 1.9TID

Engines:

1.3, 1.9 CDTI from 2004



TIMING TOOLS VAG PETROL/DIESEL

OM 4052BL

Timing set for VAG gasoline and diesel engines of the 1990 to 2005 generation

59 €VAT Excl.

Instead of 99 €VAT Excl.*



Models:

- SEAT: Arosa, Cordoba, Ibiza, Inca, Leon, Toledo
- Skoda: Fabia, Octavia (from 96)
- Volkswagen: Bora, Caddy, Fox, Golf, Lupo, New Beetle, Passat, Polo, Sharan, Touran
- Audi: 80, A2, A3, A4, A6, Cabriolet (95-00) Seat Alhambra Arosa, Altea

Engines:

- petrol: 1.2 6V, 1.2 12V, 1.4 et 1.6, 1.8, 1.8T, 2.0 16V
- diesel: 1.2, 1.4, 1.9, 2.0 TDI PD 1.7, 1.9 D/TD/SDI/TDI 2.5 V6 TDI.

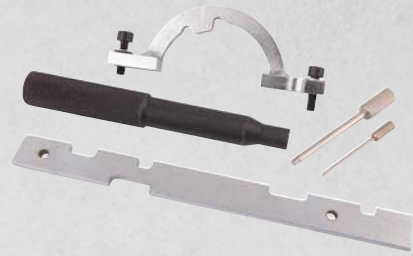


**TIMING TOOLS OPEL/
VAUXHALL**

OM 4213BL

19 €VAT Excl.

Instead of 31 €VAT Excl.*



Models:

Corsa, Agila, Astra, Meriva (97-04)

Engines:

1.0 12v, 1.0 16v, 1.4 16v (chain)

CODES MOTEURS

X10XE	X12XE	Z10XE
Z10XEP	Z12XE	Z14XEP



TIMING TOOLS FIAT/LANCIA/ALFA PETROL/DIESEL

OM 4082BL

99 €VAT Excl.

Instead of 165 €VAT Excl.*



Models:

Alfa Romeo: 145, 146, 147, 155, 156, 1.4, 1.6 Twin Spark, 145, 146, 155, 156, Spider and GTV
1.8 Twin Spark, 155 2.5i, 155 2.5 V6

Fiat Punto, Brava, Bravo, Stilo, Marea, Marea Weekend, Multipla, Tipo, Barchetta,
Ulysse, Ducato, Lancia Ypsilon

Engines:

1.2 16V, 1.4 12V, 1.6 16V, 1.8 16V, 2.0 16V turbo, 1.9D TD, 1.7D TD, 1.9D TD, 2.4JTD

CODES MOTEURS

LFW	RFU	RFW	RGX
D8B	D9B	DHX	DJY



TIMING TOOLS RENAULT

1.4-1.6-1.8-2.0 16V

OM 9251BL

48 €VAT Excl.

Instead of 50 €VAT Excl.*



Models:

Renault: Espace/Grand Espace (98-02), Espace/Grand Espace 4 (02-10), Kangoo/Trekka (01-09), Laguna (98-01), Laguna 2 (01-07), Laguna 3 (07-13), Megane (99-03), Megane 2 (02-10), Megane 3 (08-13), Megane/Scenic/Rx4 (99-00), Scenic/Grand Scenic 2 (09-03), Trafic 2 (01-11), Twingo 2 (08-14), Vel Satis (00-10), Wind (10-14)
Dacia: Logan/Mcv (05-11)

Engines:

1.4, 1.6, 1.8, 20 16V

CODES MOTEURS

7K4J730	7K4J732	7K4J740	F4P720	F4P722	F4P760	F4P770	F4P771	F4P772	F4P773	F4P774
F4P775	F4R(t)720	F4R(t)722	F4R(t)744	F4R(t)764	F4R(t)765	F4R(t)776	F4R(t)784	F4R(t)786	F4R(t)787	F4R(t)794
F4R(t)795	F4R(t)796	F4R(t)797	F4R(t)800	F4R(t)810	F4R(t)811	F4R(t)870	F4R(t)872	F4R(t)874	F4R(t)886	F4R(t)887
F4R(t)896	F4R(t)897	F4R(t)8)02	F4R700	F4R701	F4R712	F4R713	F4R714	F4R715	F4R720	F4R722
F4R730	F4R732	F4R736	F4R738	F4R740	F4R741	F4R744	F4R746	F4R747	F4R762	F4R763
F4R764	F4R765	F4R766	F4R767	F4R770	F4R771	F4R780	F4R790	F4R791	F4R792	F4R820
F4R830	F4R832	F4R837	K4M752	K4M753	K4M760	K4M761	K4M764	K4M788	K4M812	K4M813
K4M854	K4M856	K9K700	K9K702	K9K704						



POLYGONAL L-SHAPE WRENCHES FOR DISTRIBUTION PULLEYS + FITTINGS (15PCS)

OM 9049BL

These wrenches are specially designed for working on hard-to reach pulley nuts and belt tensioners.

59 €VAT Excl.

Instead of 86 €VAT Excl.*



Specifications:

- heads can be easily exchanged due to the retaining system using an automatic pin
- rubber handle
- wrench length 470mm
- Torx: E10, E12, E14, E16, E18
- XZN diameter: 12, 13, 14, 15, 16, 17, 18 and 19mm



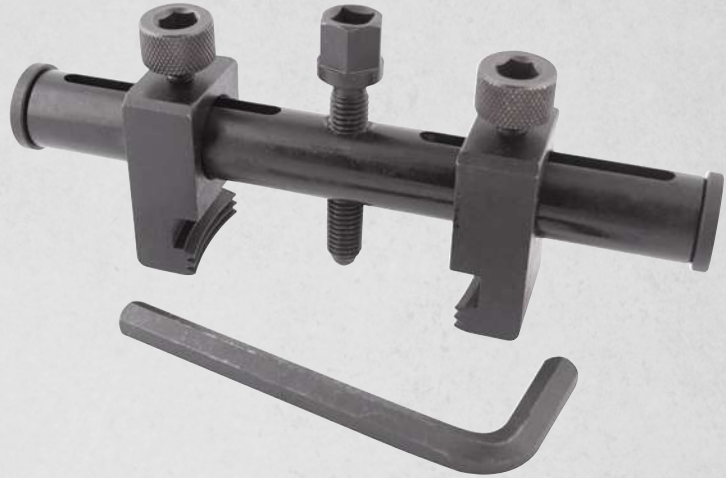
RIBBED PULLEY PULLER WITH INTERCHANGEABLE ARMS

OM 9879BL

Universal puller for multi groove pulley from 33mm to 160mm

19 €VAT Excl.

Instead of 25 €VAT Excl.*



Specifications:

- mini pulley : 33mm
- maximum pulley : 160mm

Contents:

- 1 x extractor
- 1 x BTR wrench



SILENT-BLOCK & BEARING ASSEMBLY/ DISASSEMBLY SET

OM 9391BL

169 €VAT Excl.

Instead of 179 €VAT Excl.*



Contents:

- 4 threaded rods with nuts mounted on bearings: M10-M12-M14-M14
- 2 support rings
- socket sets:
 - 46x36, 58x48, 70x60, 82x72, 80x70, 68x58, 56x36, 44x34
 - 74x64, 62x52, 50x40, 60x50, 48x38, 72x62
 - 78x68, 66x56, 54x44, 76x66, 64x54, 52x42



UNIVERSAL CLUTCH ALIGNMENT SYSTEM

OM 0609BL

Made up of a main part and two expanding, interchangeable cones that adapt to all models of clutch disc.



25 €VAT Excl.*

FREE

BLACK PULLTAP'S CORKSCREW
PUB 6004 8 €VAT Excl.



1 HAND VALVE SPRING LIFTER

OM 0108BL

Allows the valve springs to be compressed without removing the cylinder head.
Suitable for most OHV (overhead valves) and OHC (overhead camshafts) engines
Not suitable for enclaved valves.

+ Without disassembly of the cylinder head

27 €VAT Excl.

Instead of 30 €VAT Excl.*



STANDARD HEADLIGHT ADJUSTMENT DEVICE

AC 2005BL

699 €VAT Excl.

Instead of 799 €VAT Excl.*



Polycarbonate lens



Functions:

- control and measurement of the closing mechanism 0-4%
- control of the lateral adjustment $\pm 5\text{cm}/10\text{m}$
- measurement of the illumination intensity 0-150klux/1m, 0-240lux/25m
- intervention on headlights (xenon, halogen, LED...), anti-fog

Specifications:

- mirror type aligner
- digital luxmeter
- alu column (collapsible) graduated from 20 to 150cm
- sliding regulating mechanism
- metal housing with tilt adjustment
- power supply: 9V battery (supplied)
- dimensions: L.712xW.580xH.1810mm



PAIR OF SUCTION CUPS Ø115mm

OC 0550BL

Essential for positioning and gluing all kind of windscreens.

49 €VAT Excl.

Instead of 59 €VAT Excl.*



Specifications:

- tilting suction cups to adapt to various glass contours
- lever lock
- carrying handle
- capacity: 60kg
- suction cups Ø115mm
- supplied with fast-ratchet sling
- sling length: 4.7m
- sling length: 2.5cm



PLASTIC SCRAPER

TN

OC 0307BL

3 €VAT Excl.

Instead of 4 €VAT Excl.*



Specifications:

- simple and quick blade changes
- blade protection sheath
- ergonomic
- blade width: 38mm

NO
WARRANTY

RIVETING PLIERS

TN

OM 0749BL

18 €VAT Excl.

Instead of 19,50 €VAT Excl.*



Specifications:

- handle sheathed with return spring
- supplied with 4 nozzles Ø2.4-3.2-4.0-4.8mm
- key for nozzle assembly
- length: 270mm

NO
WARRANTY

WINDSCREEN WIPER REMOVER

TN

OC 1700BL

Lets you handle all supports with very effective force.

+

Small size



32 €VAT Excl.

Instead of 37 €VAT Excl.*

2
WARRANTY

DOOR OPENING SET (9 PCS)

TN

OC 9000BL

Kit comprising tools and rods allowing a vehicle door to be opened without breaking the windows if its keys have been locked inside.

50 €VAT Excl.

Instead of 58 €VAT Excl.*



Strictly for professional use only.
Supplied without instructions.

2
WARRANTY

SCREW BIT SET (100 PCS)

OM 0655BL

24 €VAT Excl.

Instead of 25 €VAT Excl.*



NO
WARRANTY

TN

RATCHET+10 DOUBLE HEX SOCKET SET 3/4" D. 22-50mm

OM 2355BL

Contents:

- OS3411: double hex socket 22mm
- OS3412: double hex socket 24mm
- OS3413: double hex socket 27mm
- OS3414: double hex socket 30mm
- OS3415: double hex socket 32mm
- OS3416: double hex socket 36mm
- OS3417: double hex socket 38mm
- OS3418: double hex socket 41mm
- OS3419: double hex socket 46mm
- OS3420: double hex socket 50mm
- OS3421: ratchet
- OS3422: extension 100mm
- OS3423: extension 200mm
- OS3424: CV joint
- OS3425: sliding T handle

Supplied in a black metal box.



189 €VAT Excl.

Instead of 199 €VAT Excl.*

2
WARRANTY

TN

RATCHET HANDLE+HEX SOCKETS SET 1"
D. FOR HGV 36-80mm (15 PCS)

OM 2354BL

Contents:

- OS3511: hex socket 36mm
- OS3512: hex socket 38mm
- OS3513: hex socket 41mm
- OS3514: hex socket 46mm
- OS3515: hex socket 50mm
- OS3516: hex socket 55mm
- OS3517: hex socket 60mm
- OS3518: hex socket 65mm
- OS3519: hex socket 70mm
- OS3520: hex socket 75mm
- OS3521: hex socket 80mm
- OS3522: ratchet
- OS3523: extension 190mm
- OS3524: extension 365mm
- OS3525: sliding T handle

390 €VAT Excl.*

FREE

RECHARGEABLE WIRELESS SPEAKER
PORTABLE LIGHT IK07
OE 0159 89 €VAT Excl.

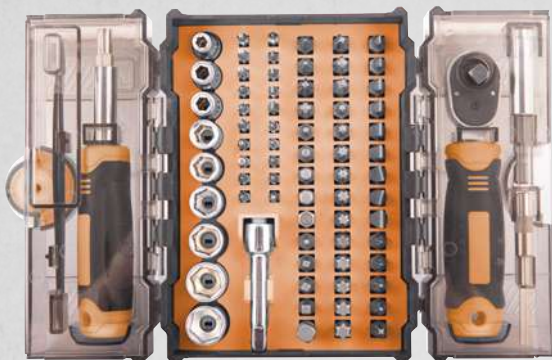


2
WARRANTY

TN

PRECISION RATCHET+SCREWDRIVER SET (78PCS)

OS 1040BL



25 €VAT Excl.

Instead of 27 €VAT Excl.*



Contents:

- 1 reversible ratchet 1/4" 6.35
- 1 bit-holder screwdriver
- 1 extension
- 1 magnetic holder
- 1 precision holder
- 1 precision plier
- 41 bits 6.35x25mm
- 1 adapter 25mm
- 1 magnetic precision tip adapter
- 20 precision bits 4x28mm
- 9 1/4 sockets: 4-5-6-7-8-9-10-11-12mm



1/4"-1/2" TOOL SET (108PCS)

OS 3050BL

Intervention composition for 1/4" and 1/2" mechanical and industrial applications.

95 €VAT Excl.

Instead of 99 €VAT Excl.*

